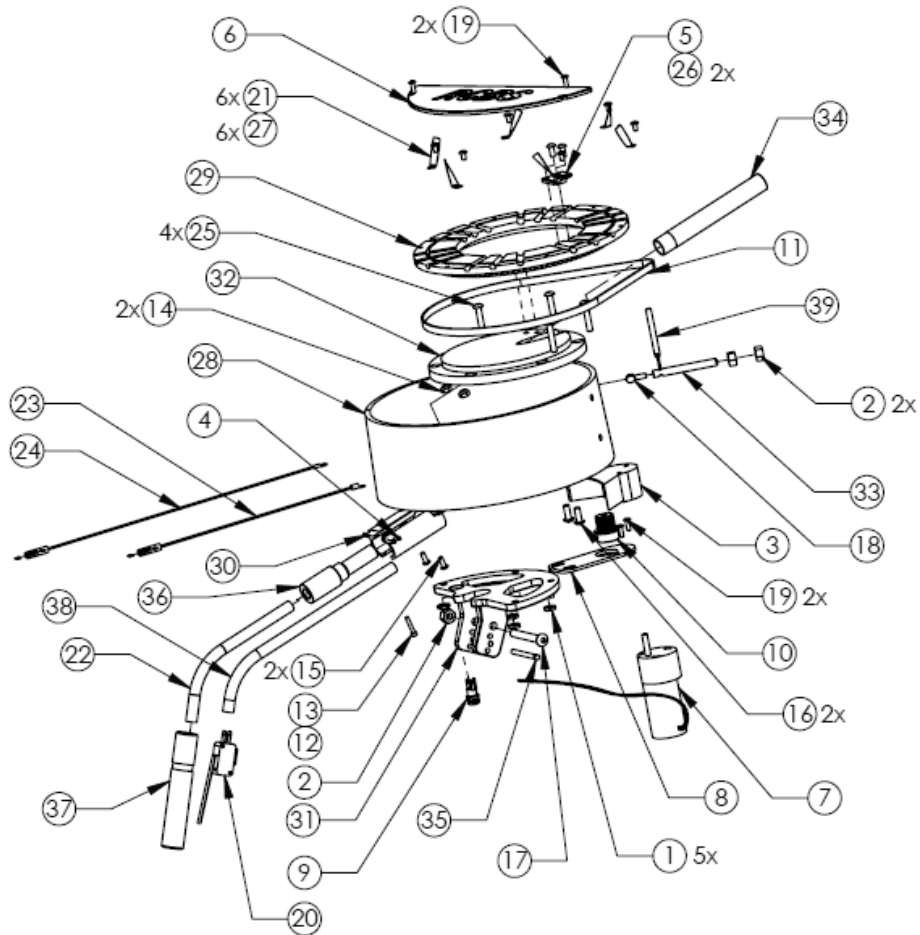
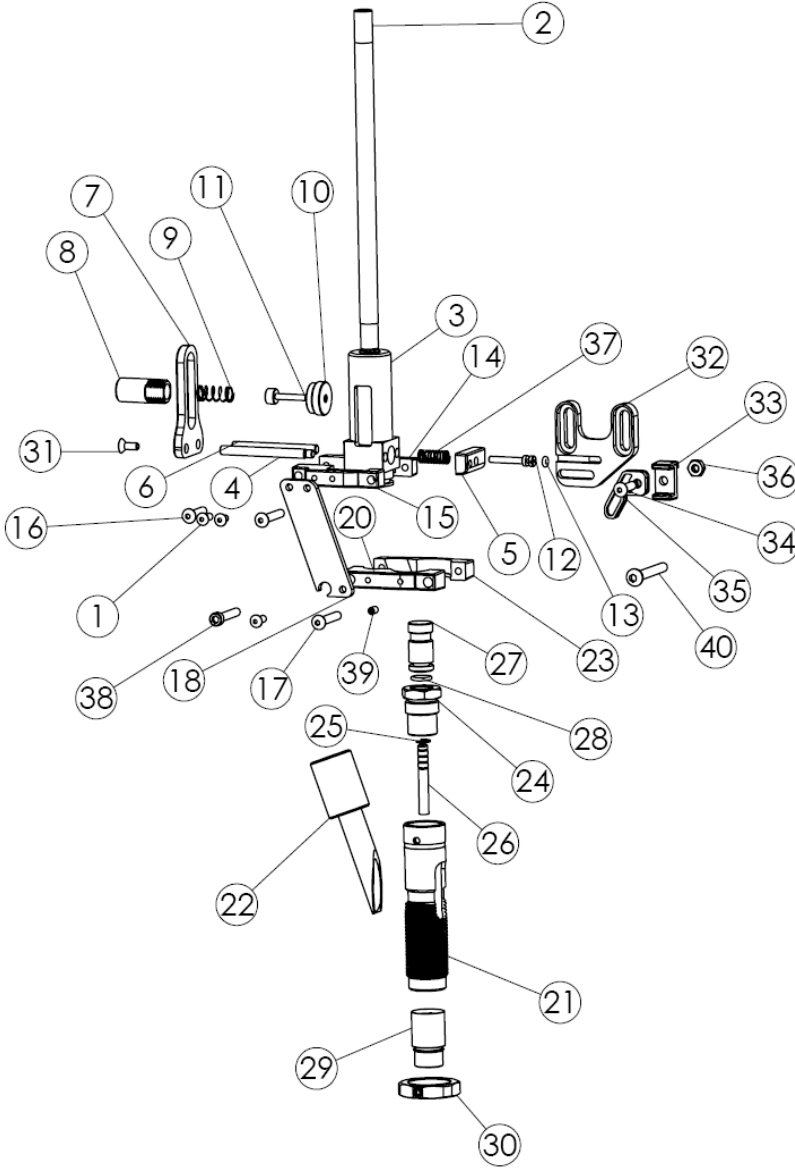


SUPPORT STAND - RIFLE BULLET FEEDER			
ITEM NO.	PART NUMBER	DESCRIPTION	QTY.
1	781205	Support Foot	1
2	781208	Support Tube Lower	1
3	181219	Tube Cap	2
4	181233	10-24 x 1-1/2 SHCS	2
5	781207	Support Tube Upper	1
6	181218	Support Block	1
7	186214	6-32 x 1/2 SHCS	1
8	180072	1/4" Flat Washer	2
9	181234	1/4-28 x 1-1/2 BHCS	2



BOWL ASSEMBLY - RIFLE BULLET FEEDER							
ITEM NO.	PART NUMBER	DESCRIPTION	QTY.	ITEM NO.	PART NUMBER	DESCRIPTION	QTY.
1	109603	10-32 Hex Nut	5	22	181257	Continuous Spring (22)	1
2	109604	1/4-28 Hex Nut	3		181241	Continuous Spring (30)	1
3	181203	Pulley Cover	1	23	181267	Jumper Wire Short	1
4	181204	Switch Block Right	1	24	181268	Jumper Wire Long	1
5	181206	Tube Retainer	1	25	187211	10-32 x 1 BHCS	4
6	181207	Bowl Cover	1	26	187217	8-32 x 3/8 BHCS	2
7	181215	Motor	1	27	189066	6-32 x 1/4" BHCS	6
8	181217	Motor Mount	1	28	681200	Bowl	1
9	181220	Power Jack	1	29	781202	Bullet Wheel .22	1
10	181221	Drive Pulley	1		781228	Bullet Wheel .30	1
11	181222	Drive Belt	1	30	781203	Switch Block Left	1
12	181227	4-40 Nyloc Nut	1	31	781206	Bowl Bracket	1
13	181228	4-40 x 5/8 SHCS	1	32	781209	Hub	1
14	181229	6-32 Nyloc Nut	2	33	781210	Deflector Rod	1
15	181230	6-32 x 3/8 BHCS	2	34	781221	Bowl Drop Tube	1
16	181231	10-32 x 1/2 BHCS	3	35	781224	Bracket Pin	1
17	181235	1/4-28 x 2 BHCS	1	36	781240	Upper Tube 22 Caliber	1
18	181236	8-32 x 3/8 Thumbscrew	1		781241	Upper Tube 30 Caliber	1
19	181237	5-40 x 3/8 BHCS	4	37	781242	Switch Block 22 Cal	1
20	181244	Case Switch	1		781243	Switch Block 30 Cal	1
21	181255	Agitator	6	38	781263	Split Wire Loom	1
				39	781264	Deflector Rod	1



SEATER ASSEMBLY - RIFLE BULLET FEEDER			
ITEM NO.	PART NUMBER	DESCRIPTION	QTY.
1	181230	6-32 x 3/8 BHCS	2
2	781244	Bullet Drop Tube 22 Cal	1
	781222	Bullet Drop Tube 38 Cal	1
3	781246	Bullet Drop Body 22 Cal	1
	781247	Bullet Drop Body 30 Cal	1
4	781248	Push Rod	1
5	181251	Push Bar	1
6	781249	Idler Rod	1
7	181249	Push Plate	1
8	781250	Spring Holder	1
9	181259	Bullet Drop Spring	1
10	781252	Spring Holder Cap	1
11	781251	Bullet Drop Pin	1
12	781253	Bullet Stop Pin	1
13	187545	O-Ring AS-004 Buna 70	1
14	181247	Upper Platform Right Half	1
15	181248	Upper Platform Left Half	1
16	187221	8-32 x 3/4" BHCS	1
17	181232	8-32 x 1" BHCS	2
18	181254	Platform Bracket	1
19	189066	6-32 x 1/4" BHCS	1
20	181246	Lower Platform Left Half	1
21	781254	Seat Die Body	1
22	781255	Drop Tube	1
23	181245	Lower Platform Right Half	1
24	781256	Seat Plug Bushing 22 Cal	1
	781257	Seat Plug Bushing 30 Cal	1
25	187670	Retaining Ring 5144-18 (22)	1
	187549	Retaining Ring 5103-25 (30)	1
26	781259	Seat Plug .22	1
	781260	Seat Plug .30	1
27	781258	Seat Plug Stop	1
28	189009	O-Ring Parker 2-011	1
29	781283	Bullet Guide Assy .22	1
	781284	Bullet Guide Assy .30	1
30	787500	Hex Lock Ring Assy 7/8-14	1
31	187215	6-32 X 3/8" FHCS	1
32	181250	Cam Vertical Adjustment	1
33	181252	Cam Horizontal Bracket	1
34	181253	Cam	1
35	181261	8-32 X 5/8" BHCS	1
36	186102	8-32 Hex Nut	1
37	181260	Bullet Drop Return Spring	1
38	181266	8/32 x 1 SHCS	1
39	181263	6-32 x 1/4 SHSS	1
40	181262	10-32 x 1-1/2 BHCS	1