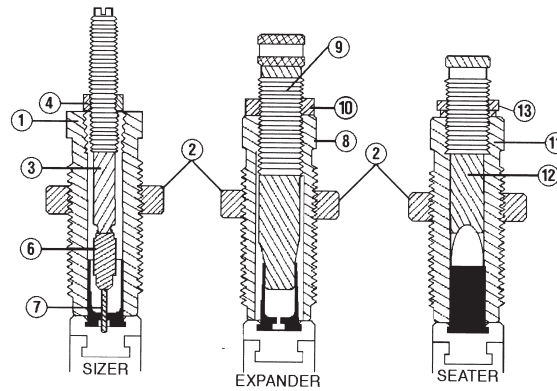


THREE DIE SET FOR STRAIGHT WALL RIFLE & PISTOL CASES



Key	Part #	Description
1	-	Sizer Die Body
2	87501	Die Lock Ring, 7/8 x 14
3	-	Decapping Rod
4	-	Lock Ring
6	-	Decapping Pin Holder
7	-	Decapping Pin
8	-	Expander Die Body
9	-	Expander
10	-	Lock Ring
11	-	Seater Die Body
12	-	Seater Plug
13	90000	Lock Ring, 1/2-20



Caliber	Shell Holder & Shell Plate #	Primer Plug & Sleeve Size	Case Trimmer		Ammo Box Size	Decap Unit	Decap Pin	Expander Assembly	Guide Bushing	Seater Plug
			Collet #	Pilot #						
.25 Automatic (.25 ACP) (RN)	29(6)	Sm.	(4)	(4)	(4)	09621	90164	09940	09625	90005
.30 M1 Carbine (RN)	17	Sm.	3	30	MP	09622	90164	09990	09626	09658
.32 Automatic (RN)*	17	Sm.	1	31	(4)	09622	90164	09956	09626	90012
.32 H&R Mag (RN-SWC)**	23	Sm.	1	31	(4)	09622	90164	09947	09626	1
.32 S & W Long (RN - SWC)**	23	Sm.	1	31	(4)	09622	90164	09947	09626	1
.32-20 Winchester (RN)	1	Sm.	2	31	MP	09622	90164	09991	09626	90012
8mm Lebel French Revolver	1	Sm.	2	32	MP	09622	90164	09959	09626	09687
.357 Magnum (RN - SWC)	6	Sm.	3	35	MP	09622	90164	09992	09626	2
.357 Remington Maximum (SIL-RIF-WC)	6	Sm.	3	35	SR	09622	90164	09948	09626	3
9mm Luger (RN-TMJ)	16	Sm.	2	35	(4)	09622	90164	09943	09626	4
9mm Makarov (RN-SWC)	16	Sm.	2	35	(4)	09622	90164	09988	09626	5
9mm x 21 (RN-TMJ)	16	Sm.	2	35	(4)	09622	90164	09943	09636	4
9mm x 23 Winchester (RN TMJ)	16	Sm.	2	35	MP	09622	90164	09943	09626	4
.375 Winchester	2	Lg.	2	37	MR	09619	90164	09946	09626	09669
.38 Colt Super Automatic (RN)	39	Sm.	2	35	MP	09622	90164	09943	09626	90021
.38 Smith & Wesson (RN)	6	Sm.	3	35	(4)	09622	90164	09992	09626	09664
.38 Special (RN-WC)	6	Sm.	3	35	MP	09622	90164	09992	09626	2
.38-40 Winchester (RN)	35(5)	Lg.	1	40	LP	09622	90164	09993	09626	09667
.38-55 Winchester & Ballard	2	Lg.	2	37	MR	09619	90164	09946	09626	90026
.380 Automatic Pistol (RN)	10	Sm.	1	34	(4)	09622	90164	09943	09626	90021
.40 S & W (SWC)	27	Sm.	3	40	LP	09622	90164	09999	09626	90040
.40-65 Shiloh-Sharps 408" Bore	14	Lg.	4	41	(4)	09619	90164	09950	09626	90042
.405 Winchester	24	Lg.	3	40	(4)	09619	90164	09974	09626	90028
10mm Auto (SWC)	27	Lg.	3	40	LP	09622	90164	09999	09626	90040
.41 Magnum (RN-SWC)	30	Lg.	2	41	LP	09622	90164	09994	09626	6
.44 Magnum (RN-SWC)	18	Lg.	2	44	LP	09622	90164	09995	09626	7
.44 Special (RN-SWC)	18	Lg.	2	44	LP	09622	90164	09995	09626	7
.44-40 Winchester (.44 Win.) (RN)	35(5)	Lg.	1	44	LP	09622	90164	09995	09626	90032
.444 Marlin	28	Lg.	1	44	LR	09619	90164	09952	09626	09679
.45 Automatic (.45 ACP) (RN-SWC)	3	Lg.	1	45	LP	09622	90164	09997	09626	8
.45 Colt (RN-SWC)	20	Lg.	1	45	LP	09622	90164	09998	09626	8
.45 Winchester Magnum (RN)	36(5)	Lg.	1	45	LP	09622	90164	09954	---	09681
.45-70 U.S. Government	14(5)	Lg.	4	45-R	(4)	09619	90164	09953	09626	09681
.454 Casull (SWC)	20	Sm.	1	45	(4)	09622	90164	09949	09626	90041
.458 Winchester Magnum	4	Lg.	1	45-R	LR	09619	09164	09953	09626	09681
.475 Linebaugh (1.400")	40	Lg.	1	.475	(4)	09622	90164	09975	09626	09670
.50 Action Express (SWC)	33(5)	Lg.	1	50***	(4)	09622	90164	09989	---	09756
.50-70 U.S. Government	31(6)	Lg.	(3)	(3)	(4)	09619	90164	09955	09626	09684

* For use with .311 bullets.
 ** For use with .314 bullets.
 *** Special Order.

Seater Plugs for Multiple Plug Die Sets:

1) 32 RN 90012	2) 38 RN 90021	3) 357 SIL 90019	4) 38 RN 90021	5) 9mm Mak RN 90017	6) 41 RN 90028	7) 44 RN 90032	8) 45 RN 90032
32 SWC 90013	38 WC 90023	35 Rifle 90018	9mm TMJ 90020	9mm Mak SWC 90024	41 SWC 90029	44 SWC 90033	45 SWC 90033