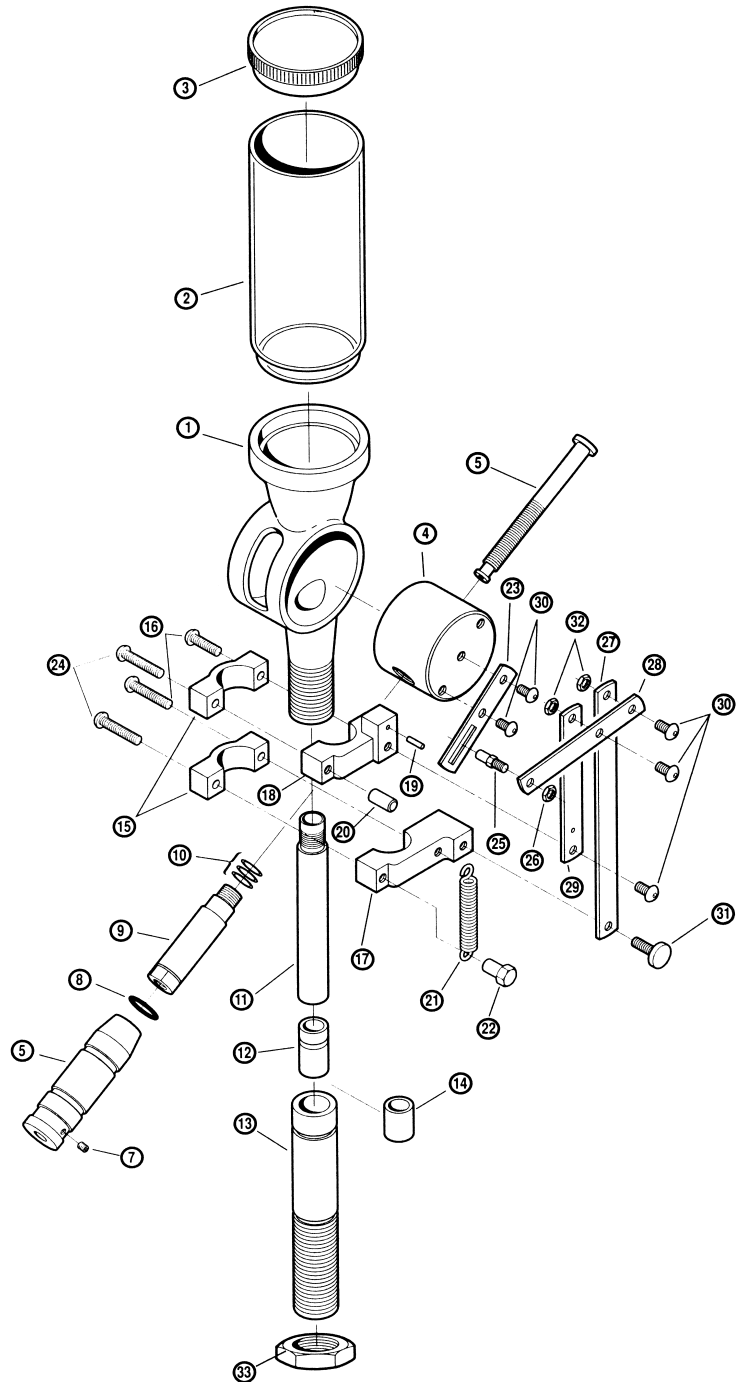


UNIFLOW POWDER MEASURE PARTS LIST

#	Description	Part #	Qty
1	UPM Main Casting II	709025	1
2	UPM Powder Hopper	109026	1
3	UPM Powder Hopper Cap	109012	1
4	UPM Cylinder Small	709006	1
4	UPM Cylinder Large	709005	1
5	Micrometer Metering Screw Small *	788907	1
5	Micrometer Metering Screw Large *	788904	1
6	UPM Metering Screw Thimble *	788905	1
7	10-32x3/16" Cup Point Set Screw	181004	1
8	"O" Ring	181015	1
9	UPM Micrometer Screw Body *	798903	1
10	Compensation Washers	198906	3
11	CAPM Powder Drop Tube	788935	1
12	CAPM Powder Bushing Large Rifle	788938	1
12	CAPM Powder Bushing Pistol	788939	1
12	CAPM Powder Bushing Small Rifle	788934	1
13	CAPM Powder Die	788928	1
14	CAPM Spacer Bushing	788936	2
15	CAPM Back Bracket	788949	2
16	10-32x1" Button Head Cap Screw	187211	2
17	CAPM Bottom Front Bracket	788950	1
18	CAPM Top Front Bracket	788951	1
19	1/8"x3/8" Roll Pin	186144	1
20	CAPM Top Spring Anchor	788941	1
21	Powder Measure Linkage Spring	187214	1
22	CAPM Bottom Spring Anchor	788941	1
23	Cylinder Link	788948	1
24	10-32x1 1/4" Button Head Cap Screw	187210	2
25	UPM Drive Pin	788944	1
26	10-32 Hex Nut	109603	1
27	CAPM Long Link	788946	1
28	CAPM Pivot Link	788947	1
29	CAPM Drive Link	788945	1
30	10-32x3/8" Button Head Cap Screw	186144	5
31	10-32x1/2" Thumb Screw	186146	1
32	CAPM Linkage Nut	788916	2
33	Hex Lock Nut, 7/8-14	87505	1



* Shown with optional (not included) **Micrometer Adjustment Screw.**

RCBS Pro2000

